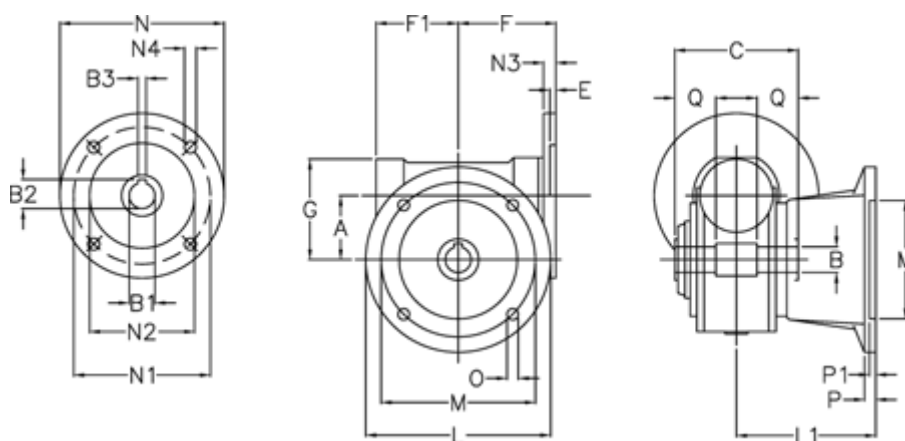


# Data Sheet



Article number: 390204402062710  
Description: Worm gear  
VF 44-FA2-20-71B5

## Measures



|       |         |    |       |    |        |
|-------|---------|----|-------|----|--------|
| A     | = 44.6  | F1 | = 54  | N2 | = 110  |
| B     | = 18 H7 | G  | = 71  | N3 | = 10.5 |
| B1 E7 | = 14    | L  | = 110 | N4 | = 9.5  |
| B2    | = 16.3  | L1 | = 90  | O  | = 8.5  |
| B3 H9 | = 5     | M  | = 87  | P  | = 9    |
| C     | = 64    | M1 | = 60  | P1 | = 7    |
| E     | = 2     | N  | = 160 | Q  | = 24.5 |
| F     | = 65    | N1 | = 130 |    |        |